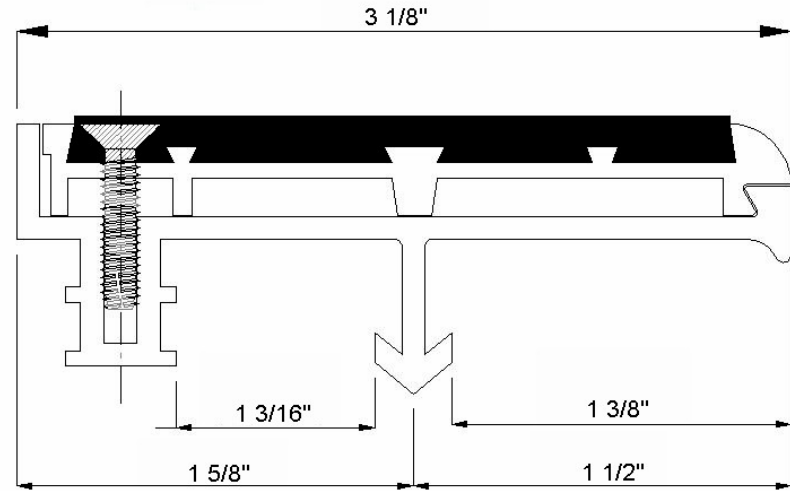




**Wooster
Products Inc.**



Job Name:	Page: ___ of ___			
Customer:	Notes:	Length	Qty.	Color
PO#:				
Architect's Name:				
Approved By:				
Approval Date:				
Representative:				
Fax No:				